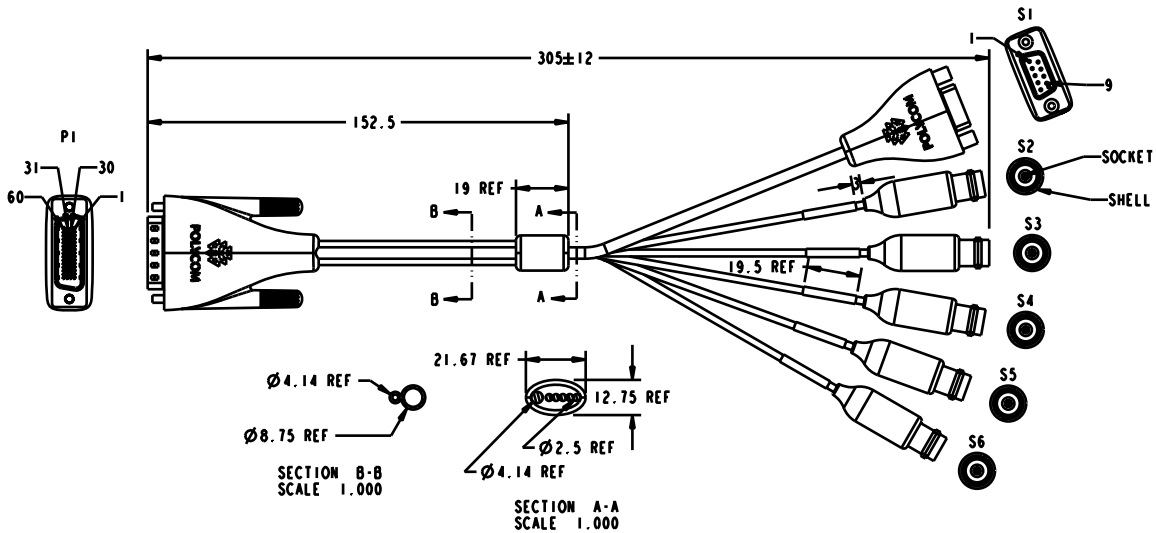


## HDCI Camera Break-Out Cable



This cable breaks out the HDCI camera cable video and control signals to standard interfaces. This cable can be connected to the EagleEye View camera, but does not support audio. The five BNC connectors can be used to carry composite video, S-Video, or analog component YPbPr video. The DB-9 connector is used to connect to PTZ camera control interfaces. It is male HDCI to five female BNC and one female DB-9.

Length	Part Number	RoHS Compliant
1ft (0.3 m)	2457-23521-001	Yes



WIRING LIST								
SIGNAL	WIRE	P1	S1	S2	S3	S4	S5	S6
RS-232 Rx	28 AWG #1	1	2	---	---	---	---	---
RS-232 Tx	28 AWG #2	2	3	---	---	---	---	---
IR	28 AWG #3	3	9	---	---	---	---	---
GROUND	28 AWG #4	7	5	---	---	---	---	---
Pb/B SHIELD	COAX #1 SHIELD	12	---	---	---	SHELL	---	---
Pb/B	COAX #1 CENTER	13	---	---	---	SOCKET	---	---
Pr/R/C SHIELD	COAX #2 CENTER	14	---	SOCKET	---	---	---	---
Pr/R/C	COAX #2 SHIELD	15	---	SHELL	---	---	---	---
Y/G/C SHIELD	COAX #3 SHIELD	46	---	---	SHELL	---	---	---
Y/G/C	COAX #3 CENTER	47	---	---	SOCKET	---	---	---
HSync	COAX #4 CENTER	50	---	---	---	---	SOCKET	---
VSync	COAX #5 CENTER	51	---	---	---	---	---	SOCKET
HSync SHIELD	COAX #4 SHIELD	52	---	---	---	---	SHELL	---
VSync SHIELD	COAX #5 SHIELD	---	---	---	---	---	---	SHELL
---	BRAIDED SHIELD	SHIELD	SHIELD	---	---	---	---	---

Universal Breakout Cable			
3 x BNC	Video Output		
	Composite	Svideo	Component
	Red		C
Green	C	Y	Y
Blue			Pb



Drawings and part numbers are provided for reference only. Polycom claims no responsibility or liability for the quality, performance, or reliability of cables based on these reference drawings, other than cables provided by Polycom. Contact your Polycom distributor or Polycom Custom/Vertical Products to order cables that meet the appropriate manufacturing tolerances, quality, and performance parameters for your application.